

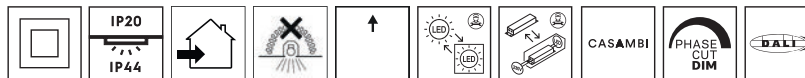


INSTALLATION MANUAL

KarizmaLuce_Installation_Manual_Modulo-Anima-Corpo_V01

KARIZMA luce

Modulo Anima / Corpo S/L



 Connect the luminaire to a constant current driver matching specified current and voltage. Direct connection to mains will damage the light source.



IMPORTANT NOTICE

To ensure safety and correct operation, please follow these guidelines during installation and use. Compliance with these instructions is strongly recommended.

SAFETY WARNING

Before starting installation, or carrying out any maintenance, always disconnect the luminaire from the power supply.

Do not attempt to alter or tamper with the product in any way. Unauthorised modifications may compromise safety and create hazardous situations.

Karizma Luce is not liable for any damages or risks resulting from modified products.

This product is intended exclusively for indoor use.

CARE & CLEANING TIPS

To clean the luminaire, gently wipe it with a soft cloth dampened with water.

For stubborn dirt, use a small amount of mild soap or detergent.

Do not use alcohol, solvents, or harsh chemicals, as these may damage the surface or components.

Dispose of luminaires separately from household waste in accordance with the WEEE Directive.



Warning - Follow safety instructions



Attention - important information, please read carefully



CE marking - complies with EU safety, health, and environmental requirements



Dispose separately from household waste in accordance with WEEE Directive



For the latest version of the manual and available accessories check www.karizmaluce.com or contact your sales representative.

Scan me





INSTALLATION MANUAL

KarizmaLuce_Installation_Manual_Modulo-Anima-Corpo_V01


KARIZMA luce

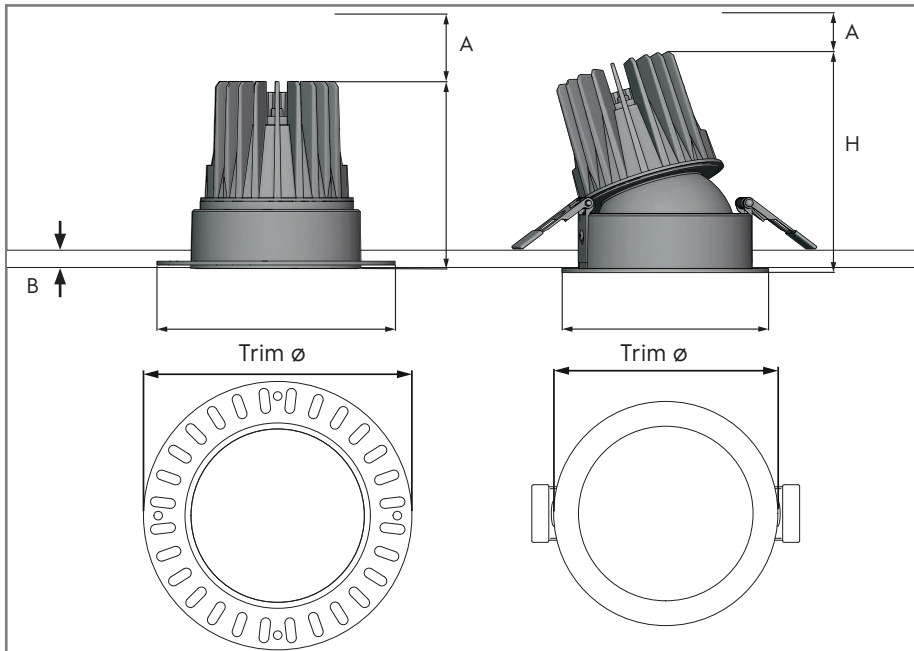
INSTALLATION OF LUMINAIRES

PREPARATION:

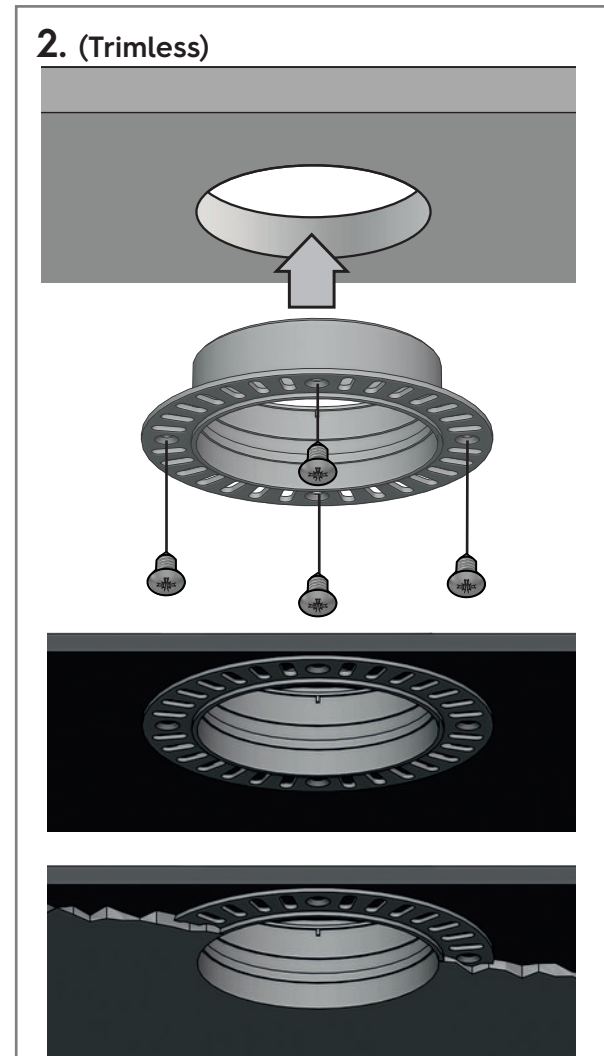
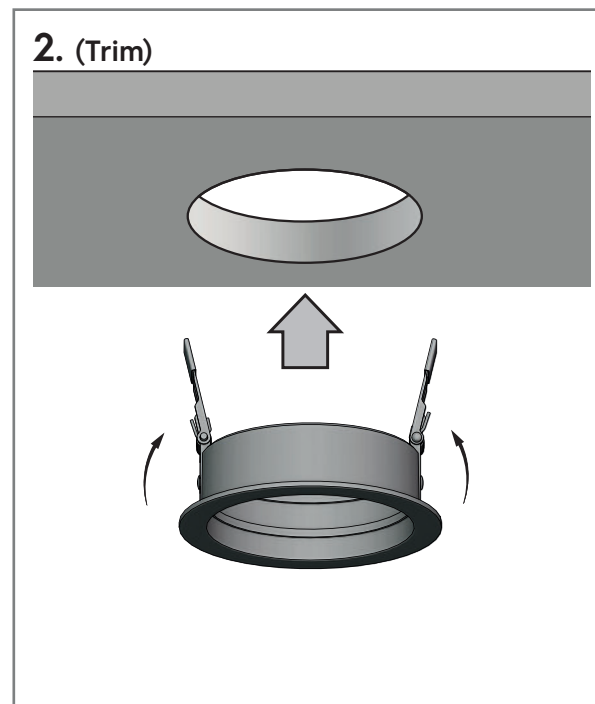
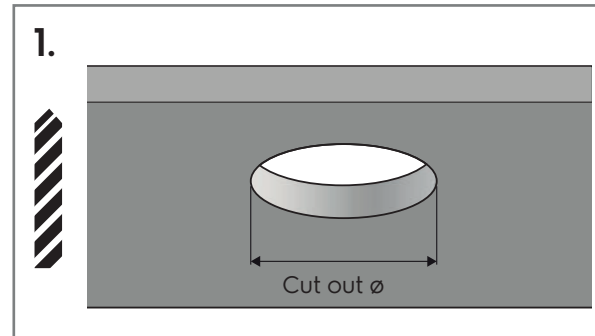
- Carefully read the manual before installation to guarantee the correct and safe operation of the luminaire.
- Turn off the electricity at the mains before proceeding with the installation of the luminaire.
- Mount the luminaire on a flat, smooth surface.

PLEASE NOTE: THE LUMINAIRE MUST BE INSTALLED BY QUALIFIED PERSONNEL!

 The following instructions are valid for all versions of the Modulo Trim/Trimless Copro / Anima luminaires.



Corpo / Anima	Trim ø	H	Cut out ø	A	B	max tilt
Modulo TL S	ø86mm	70mm	ø60mm	40mm	8 - 20mm	-
Modulo TR S Swing	ø70mm	80mm	ø65mm	40mm	8 - 20mm	30°
Modulo TL S Swing	ø86mm	81mm	ø60mm	40mm	8 - 20mm	30°
Modulo TL L	ø110mm	87.5mm	ø80mm	40mm	8 - 20mm	-
Modulo TR L Swing	ø92mm	95.5mm	ø85mm	40mm	8 - 20mm	30°
Modulo TL L Swing	ø110mm	97mm	ø80mm	40mm	8 - 20mm	30°



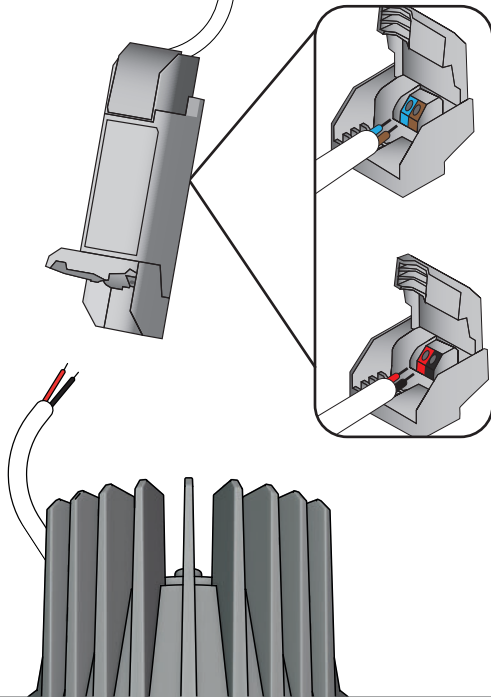
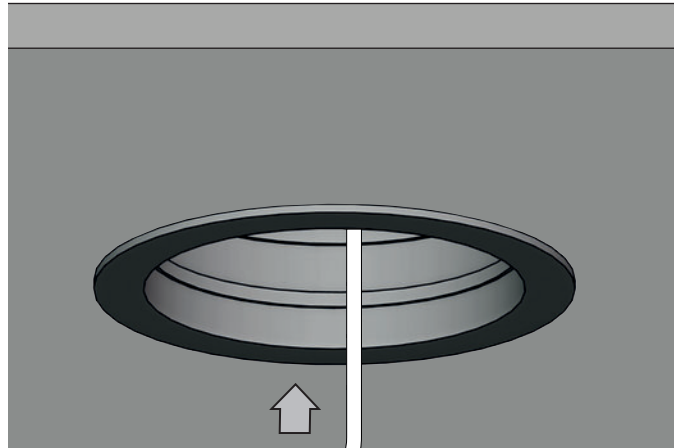


INSTALLATION MANUAL

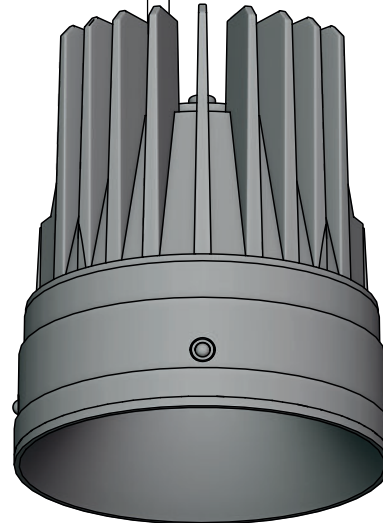
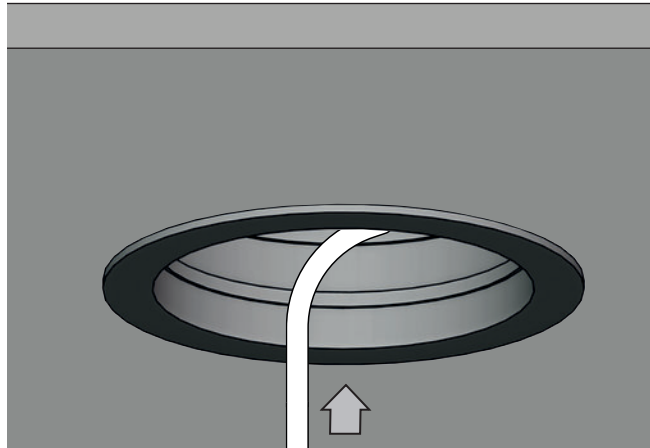
KarizmaLuce_Installation_Manual_Modulo-Anima-Corpo_V01

KARIZMA luce

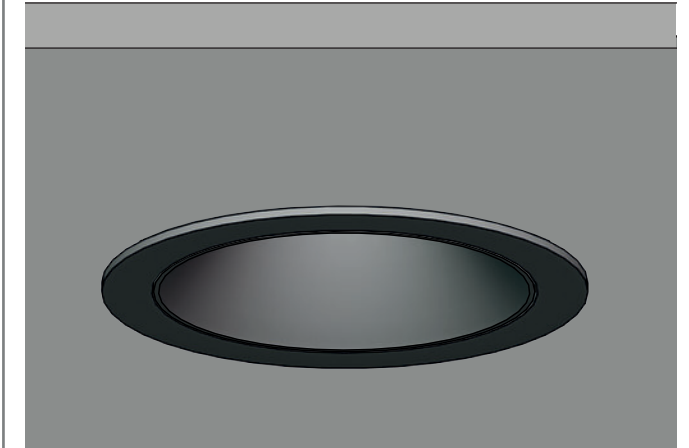
3. (Trim / Trimless)



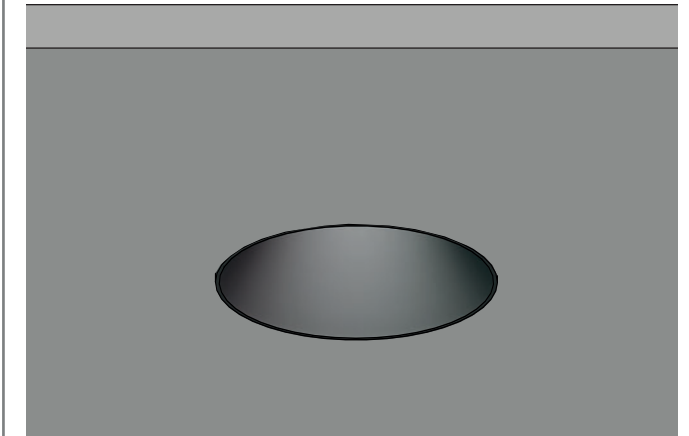
4.



Trim



Trimless



 TO UNINSTALL THE LUMINAIRE, FOLLOW ABOVE STEPS IN REVERSE.