



# INSTALLATION MANUAL

KarizmaLuce\_Installation\_Manual\_Tre-Sei-Dodici-Diciotto\_V01


KARIZMA luce

Tre / Sei / Dodici / Diciotto



IP20



 Connect the luminaire to a constant current driver matching specified current and voltage. Direct connection to mains will damage the light source.



## IMPORTANT NOTICE

To ensure safety and correct operation, please follow these guidelines during installation and use. Compliance with these instructions is strongly recommended.

### SAFETY WARNING

Before starting installation, or carrying out any maintenance, always disconnect the luminaire from the power supply.

Do not attempt to alter or tamper with the product in any way. Unauthorised modifications may compromise safety and create hazardous situations.

Karizma Luce is not liable for any damages or risks resulting from modified products.

This product is intended exclusively for indoor use.

### CARE & CLEANING TIPS

To clean the luminaire, gently wipe it with a soft cloth dampened with water.

For stubborn dirt, use a small amount of mild soap or detergent.

Do not use alcohol, solvents, or harsh chemicals, as these may damage the surface or components.

Dispose of luminaires separately from household waste in accordance with the WEEE Directive.



Warning - Follow safety instructions



Attention - important information, please read carefully



CE marking - complies with EU safety, health, and environmental requirements



Dispose separately from household waste in accordance with WEEE Directive



For the latest version of the manual and available accessories check [www.karizmaluce.com](http://www.karizmaluce.com) or contact your sales representative.

Scan me





# INSTALLATION MANUAL

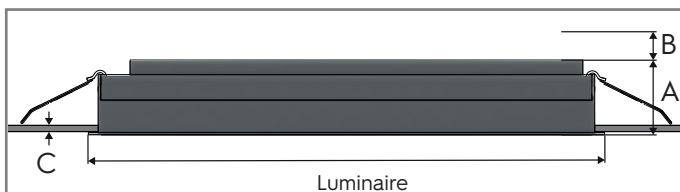
KarizmaLuce\_Installation\_Manual\_Tre-Sei-Dodici-Diciotto\_V01

## INSTALLATION OF LUMINAIRES

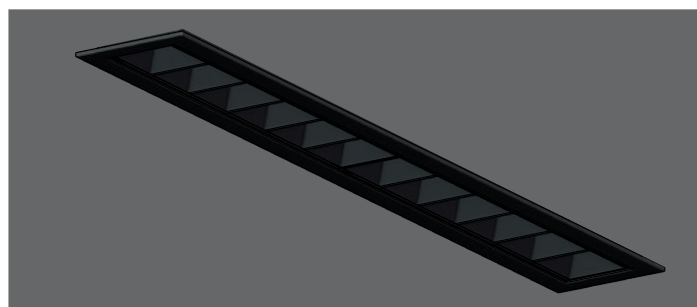
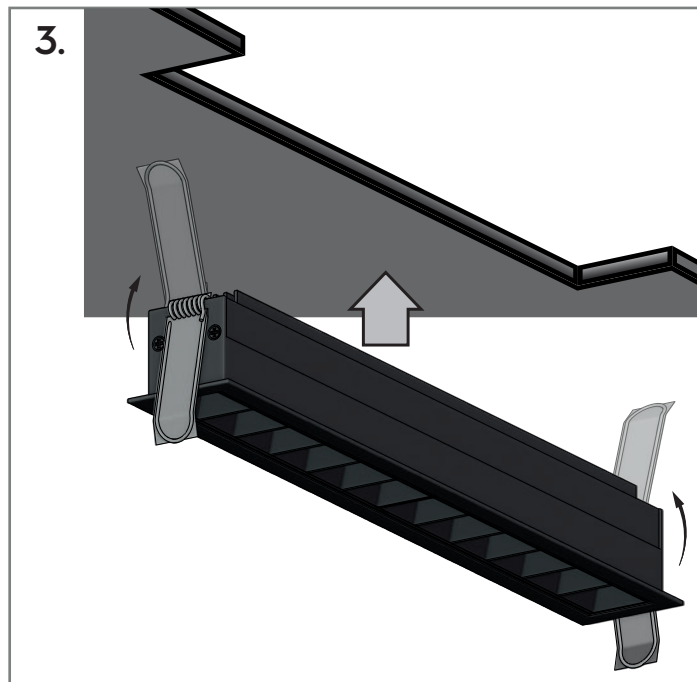
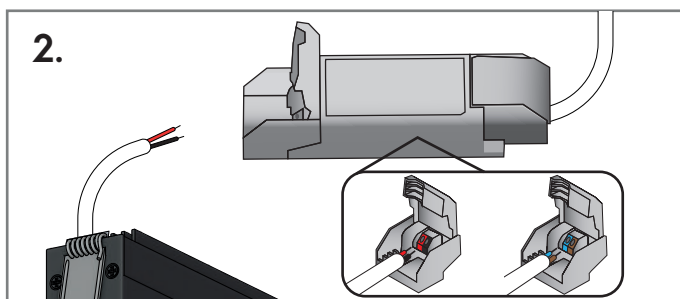
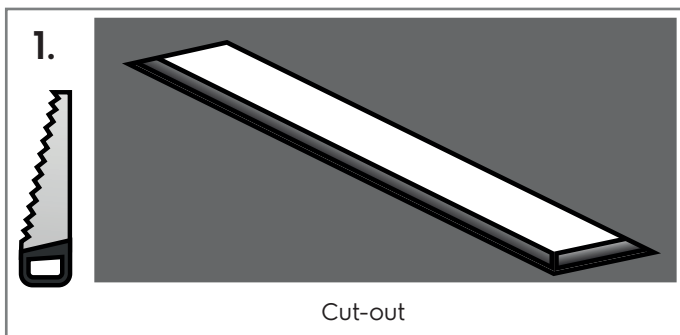
### PREPARATION:

- Carefully read the manual before installation to guarantee the correct and safe operation of the luminaire.
- Turn off the electricity at the mains before proceeding with the installation of the luminaire.
- Mount the luminaire on a flat, smooth surface.

**PLEASE NOTE: THE LUMINAIRE MUST BE INSTALLED BY QUALIFIED PERSONNEL!**



	Cut-out	Luminaire	A	B	C
Tre	90x40mm	98x48mm	49mm	30mm	8-20mm
Sei	168x40mm	177x48mm	49mm	30mm	8-20mm
Dodici	329x40mm	337x48mm	49mm	30mm	8-20mm
Diciotto	488x40mm	496x48mm	49mm	30mm	8-20mm



 TO UNINSTALL THE LUMINAIRE, FOLLOW ABOVE STEPS IN REVERSE.