

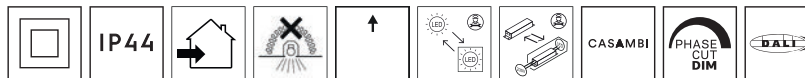


# INSTALLATION MANUAL

KarizmaLuce\_Installation\_Manual\_Casa\_V01

KARIZMA luce

Casa XXS/XS/S/M



 Connect the luminaire to a constant current driver matching specified current and voltage. Direct connection to mains will damage the light source.



## IMPORTANT NOTICE

To ensure safety and correct operation, please follow these guidelines during installation and use. Compliance with these instructions is strongly recommended.

### SAFETY WARNING

Before starting installation, or carrying out any maintenance, always disconnect the luminaire from the power supply.

Do not attempt to alter or tamper with the product in any way. Unauthorised modifications may compromise safety and create hazardous situations.

Karizma Luce is not liable for any damages or risks resulting from modified products.

This product is intended exclusively for indoor use.

### CARE & CLEANING TIPS

To clean the luminaire, gently wipe it with a soft cloth dampened with water.

For stubborn dirt, use a small amount of mild soap or detergent.

Do not use alcohol, solvents, or harsh chemicals, as these may damage the surface or components.

Dispose of luminaires separately from household waste in accordance with the WEEE Directive.



Warning - Follow safety instructions



Attention - important information, please read carefully



CE marking - complies with EU safety, health, and environmental requirements



Dispose separately from household waste in accordance with WEEE Directive

Scan me



For the latest version of the manual and available accessories check [www.karizmaluce.com](http://www.karizmaluce.com) or contact your sales representative.



# INSTALLATION MANUAL

KarizmaLuce\_Installation\_Manual\_Casa\_V01

KARIZMA luce

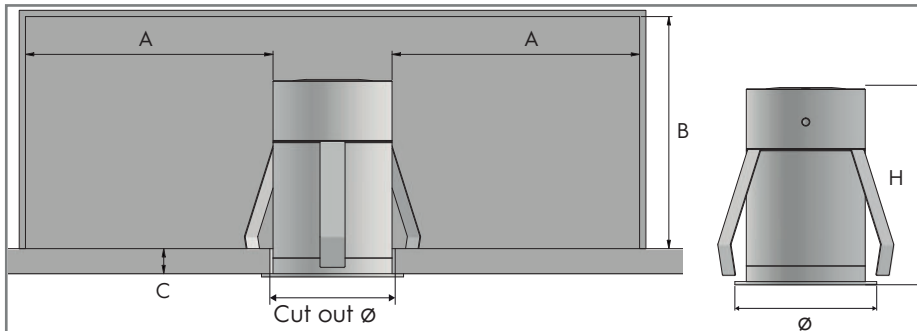
## INSTALLATION OF LUMINAIRES

### PREPARATION:

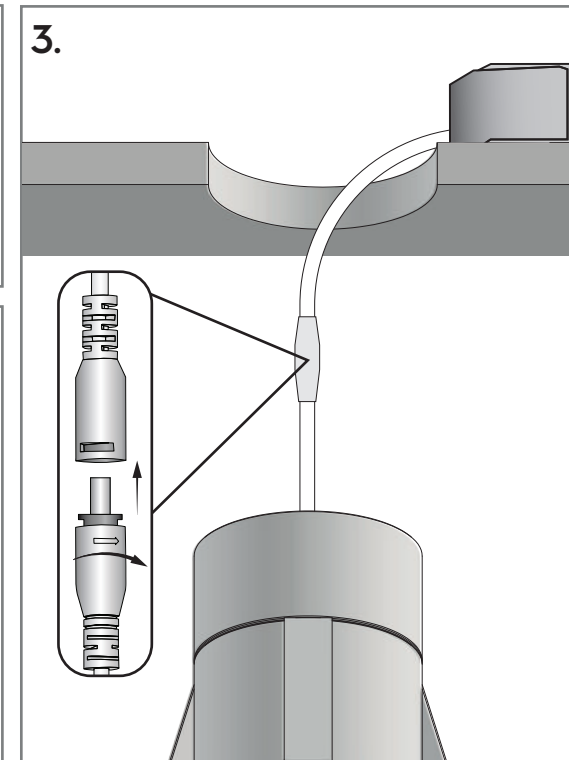
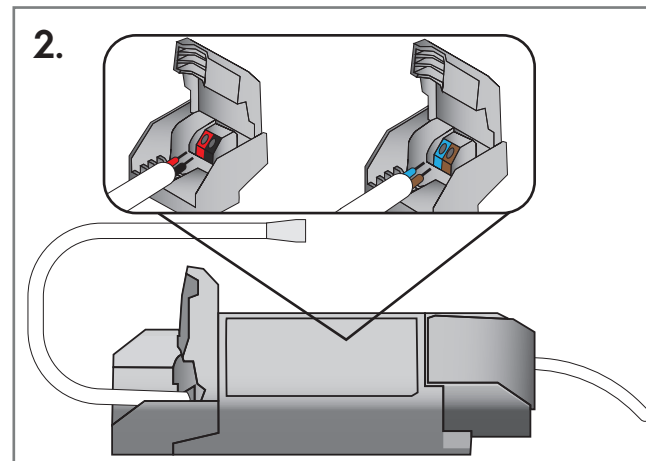
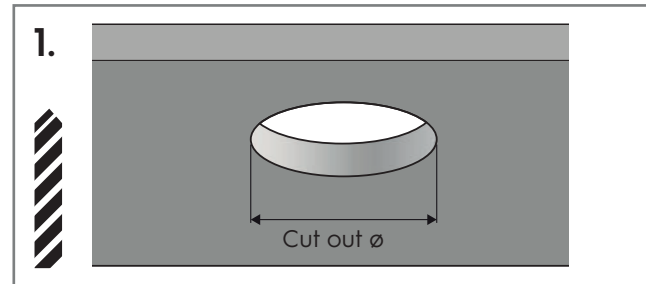
- Carefully read the manual before installation to guarantee the correct and safe operation of the luminaire.
- Turn off the electricity at the mains before proceeding with the installation of the luminaire.
- Mount the luminaire on a flat, smooth surface.

### PLEASE NOTE: THE LUMINAIRE MUST BE INSTALLED BY QUALIFIED PERSONNEL!

 The following instructions are valid for all versions of the Casa luminaire.



	Luminaire ø	H	Cut out ø	A	B	C	max tilt
Casa XXS	ø38mm	43mm	ø30mm	70mm	73mm	8 - 20mm	-
Casa XS	ø45mm	66mm	ø40mm	70mm	93mm	8 - 20mm	-
Casa XS Swing	ø45mm	64mm	ø40mm	70mm	94mm	8 - 20mm	30°
Casa S	ø57mm	81mm	ø50mm	70mm	111mm	8 - 20mm	-
Casa S Swing	ø57mm	92mm	ø50mm	70mm	122mm	8 - 20mm	30°
Casa M	ø68mm	93mm	ø60mm	70mm	123mm	8 - 20mm	-
Casa M Alto	ø68mm	106mm	ø60mm	70mm	136mm	8 - 20mm	-
Casa M Swing	ø68mm	106mm	ø60mm	70mm	136mm	8 - 20mm	30°



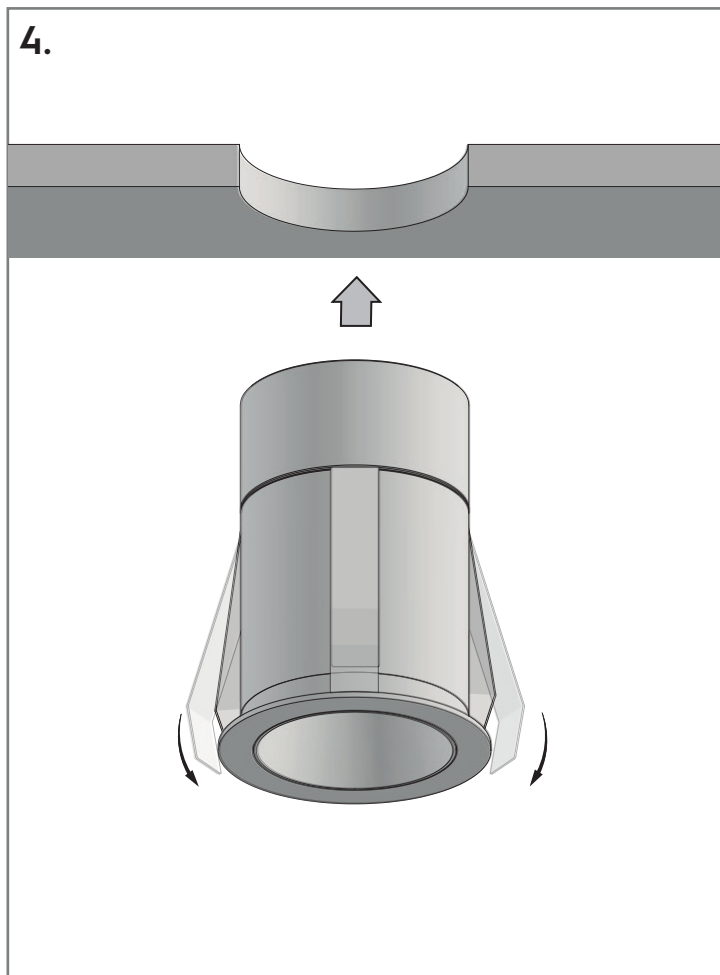


# INSTALLATION MANUAL

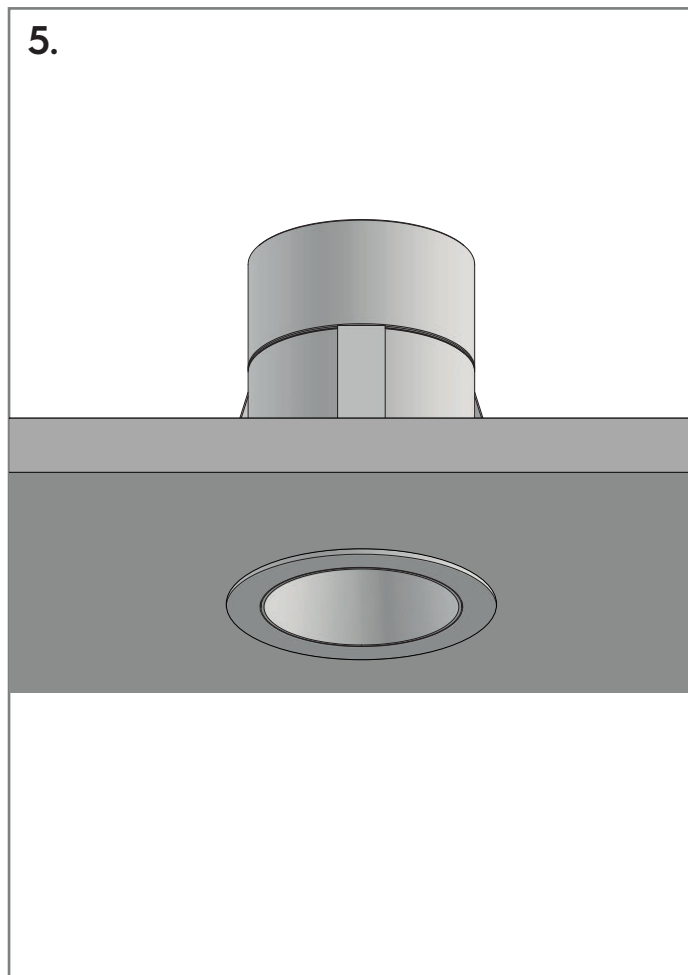
KarizmaLuce\_Installation\_Manual\_Casa\_V01

KARIZMA luce

4.



5.



TO UNINSTALL THE LUMINAIRE, FOLLOW ABOVE STEPS IN REVERSE.