

**Q-Line series**  
48V TRACK SYSTEM



**Juno-Q1/Q2 XS Lente**  
*precision at its finest.*

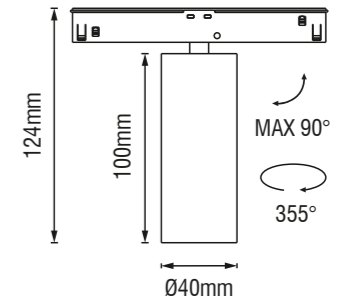
The 48V track spot Juno-Q XS Lente is a one-of-a-kind luminaire. This uniqueness is attributed to the unprecedentedly narrow beam angle of only 10 degrees. The distinctive lens creates a spectacular light image, perfect for accentuating valuable art in museums and luxury homes. It is also ideal for creating an intensely sharp focus in eye-catching product presentations in boutiques, perfume shops and jewellery stores.

Juno-Q1 XS Lente.



Description	Angle	White	Black
380lm 927 8.5W	10°	Q667AW92708BMF0	Q667AB92708BMF0
400lm 930 8.5W	10°	Q667AW93008BMF0	Q667AB93008BMF0
420lm 940 8.5W	10°	Q667AW94008BMF0	Q667AB94008BMF0

For Light source energy class and identifier please consult the datasheet on our website.



Juno-Q2 XS Lente.



Description	Angle	White	Black
380lm 927 8.5W	10°	Q668AW92708BMF0	Q668AB92708BMF0
400lm 930 8.5W	10°	Q668AW93008BMF0	Q668AB93008BMF0
420lm 940 8.5W	10°	Q668AW94008BMF0	Q668AB94008BMF0

For Light source energy class and identifier please consult the datasheet on our website.

